



TRI-SENSOR™ TECHNOLOGY

GL4812LU

ASSEMBLY & FITTING INSTRUCTIONS

P-LUX3 LED TRI-SENSOR LANTERN

Please read these instructions carefully before attempting to install this lantern.

It is advisable to keep these instructions in a safe place for future reference.

If this lantern is installed by a contractor, the contractor should ensure that the customer has a copy of these instructions.

The light source of this luminaire is not replaceable; when the light source reaches its end of life the whole luminaire shall be replaced.

SPECIFICATION

Voltage:	230V AC
Lampless:	Epistar 8W LED
Weather Resistance:	IP44
Electrical Safety:	BSEN60598 (Relevant clauses)
Angle of Detection:	120° approx
Max. Detection Range:	Up to 6 metres approx; depending on weather conditions and mounting height (see INTRODUCTION on Page 2).
Mounting Height:	1.4 to 1.9 metres.
Lux up Operation:	Lux up operation in hours of darkness only.
Time On:	60 secs & 60 seconds from last trigger.

Should you experience any difficulty when installing this product, please call the

Green Lighting Helpline on 01905 610200

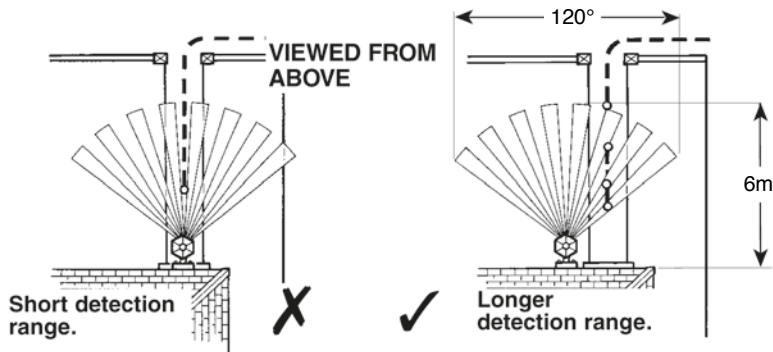
during normal office hours 8.30am to 4.30pm, Monday to Friday.

SPECIFICATION

The P-lux lantern switches on automatically at dusk. The lantern will stay in a dim down mode, when the PIR is activated the P-Lux will lux up to full brightness for 60 seconds or 60 seconds from the last trigger. It will then return to the dim down mode, and switch off automatically at dawn.

This passive Infra-red security fitting switches on the light when it detects a moving warm object approaching. The P-lux3 is fitted with temperature compensation to give a consistent detection range. (6m) in all weather. For the PIR to work at its best, the PIR should be crossed, not approached head-on. The examples below illustrate this.

The sensor is controlled by a built-in photocell so that it operates only between dusk and dawn. Once the sensor has turned on the light, it will stay on for approximately 60 seconds.



NOTE: When the lantern is positioned directly facing a person walking straight towards it, the detection range can be as little as 1.5 metres. We therefore recommend that the lantern be positioned to the side of the entrance.

LOCATION

Choose a suitable location for installing the P-LUX lantern, that is, away from trees, hot ventilator ducts, street lighting and traffic, which may interfere with its operation. In most cases, for the sensor to work at its best, the P-LUX lantern should be fixed approximately 1.4m – 1.9m from the ground.

INSTALLATION

Ensure electricity is switched off at the mains before installing or maintaining this lantern. This fitting conforms to UK safety standards.

THIS FITTING MUST BE INSTALLED IN ACCORDANCE WITH CURRENT IEE WIRING REGULATIONS AND BUILDING REGULATIONS (PART P). FOR YOUR OWN SAFETY, THIS LANTERN MUST BE EARTHED. UNDER NO CIRCUMSTANCES SHOULD THIS METAL FITTING BE WIRED TO AN UNEARTHED CIRCUIT.

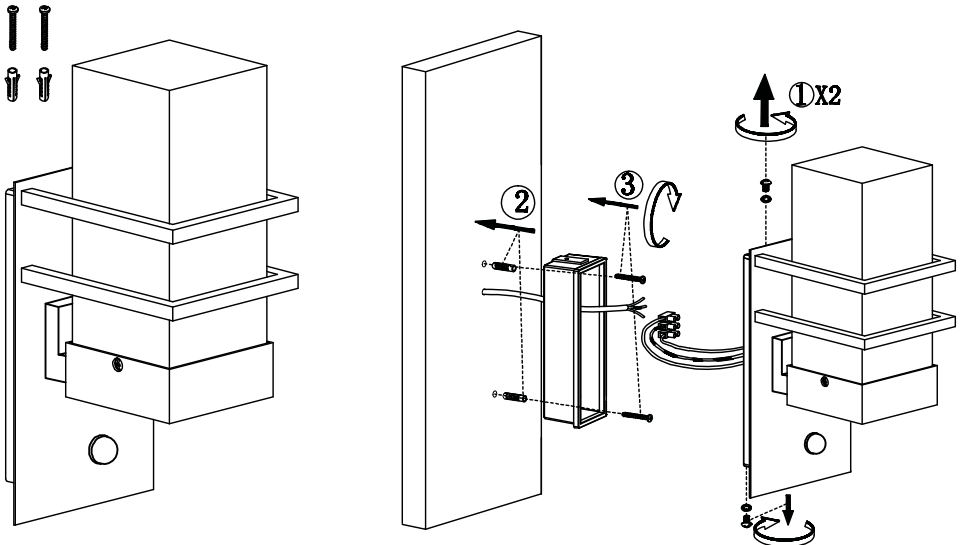
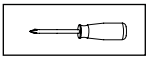
CONTACT A QUALIFIED ELECTRICIAN TO INSTALL A SUITABLE EARTH FACILITY.

IF YOU ARE IN ANY DOUBT, CONSULT A QUALIFIED ELECTRICIAN.

Please note: For new installations, check for any electrical cables or pipe work (gas/water) in the vicinity of the intended mounting point for the product, before proceeding with the installation.

1. Remove Locking Bolts at top and bottom of fitting (**FIGURE 1**).

FIGURE 1



INSTALLATION - Continued

2. Use the backplate as a template and mark positions for fixing holes and cable entry. If fixing to masonry, drill the fixing holes 25mm deep and insert masonry plugs so they are flush with the surface (**FIGURE 2**).

3. Pierce a hole in the grommet and push the mains cable through allowing enough cable for connection to the terminal block (**FIGURE 2**).

4. Fix the blackplate to the mounting surface with the fixing screws (**FIGURE 2**).

FIGURE 2

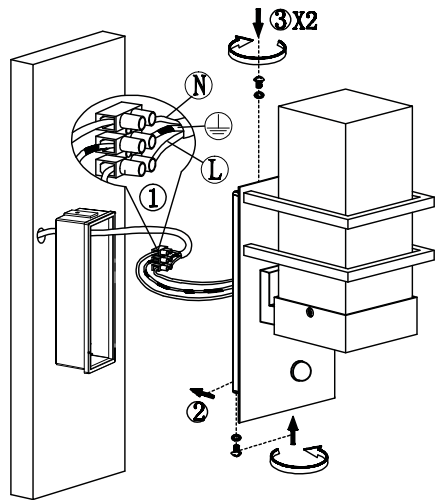
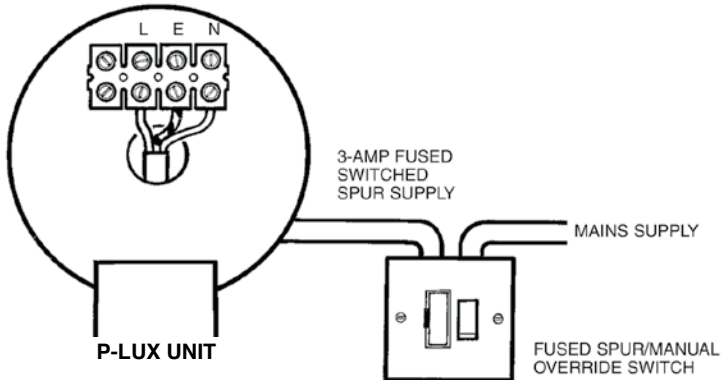


FIGURE 3



5. Connect the mains supply cable to the terminal block using the following colour code for the wiring (**FIGURE 3**):

Connect the wire coloured Brown or Red (Live) to the corresponding Brown wire in the terminal block, or the terminal marked L.

Connect the wire coloured Green/Yellow or Green (Earth) to the corresponding Green/Yellow wire in the terminal block, or the terminal marked E or ⊕.

Connect the wire coloured Blue or Black (Neutral) to the corresponding Blue wire in the terminal block, or the terminal marked N.

Clip the terminal block on the junction box.

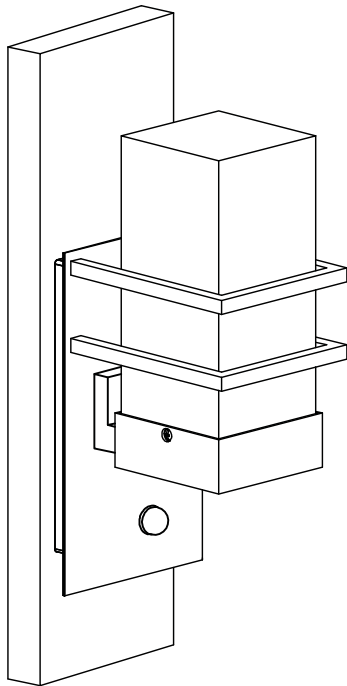
REMEMBER: THIS FITTING MUST BE EARTHED.

INSTALLATION - Continued

6. Turn on the mains supply.

Note: Do not use this lantern if it is damaged.
Make sure that the lantern is fixed securely.

**IF IN ANY DOUBT CONSULT
A QUALIFIED ELECTRICIAN.**



OPERATING THE LAMP

NOTE: In the wiring examples shown in **FIGURES 2 and 3**, the switch for the fused spur doubles as the override switch.

Initial Power Up Cycle

On the initial power up, your lantern will go into one complete cycle that is full light for 45 seconds followed by a slow dim down and it will then switch off (in day time). This power up cycle will happen regardless the light level of the environment.

After installing your P-Lux3 LED lantern, simply walk past your lantern and look for the blue LED (Motion Indicator) on the PIR to flash which means your lantern is in range but the light will not come on in day light.

TROUBLESHOOTING

Should you experience any difficulties, check the faults below before calling the Green Lighting Helpline. When replacing the lamp or servicing the fitting, turn the power off at the mains.

FAULT	POSSIBLE CAUSE	SOLUTION
Unit will not work at all	<ul style="list-style-type: none">• No power	<ul style="list-style-type: none">• Check power and fuse• Cover the sensor with a black cloth or black insulation tape and switch on
Unit flashes continuously	<ul style="list-style-type: none">• Area too light• Re-position lantern e.g. lighting nearby• Faulty photocell	<ul style="list-style-type: none">• Re-position lantern if required• Call the Helpline
Sensing range too short	<ul style="list-style-type: none">• Unit is fixed too high or too low, or angle of approach into detection bands are incorrect• Other lighting interfering with the sensitivity of the PIR sensor	<ul style="list-style-type: none">• Cover the photo cell with a dark cloth then test• Move the unit to a different height and/or change the angle of approach (see INTRODUCTION)• Move lantern away from other lighting
Lamp on all the time	<ul style="list-style-type: none">• Wrongly wired• PIR is continuously being activated• Faulty electronic unit	<ul style="list-style-type: none">• Switch off for 30 seconds then restart• Reposition lantern• Call the help line
Lamp false triggers	<ul style="list-style-type: none">• Lantern badly positioned• High winds	<ul style="list-style-type: none">• Reposition lantern.• Temporary situation If annoying, switch lantern off
Blue LED indicator doesn't work	<ul style="list-style-type: none">• No power	<ul style="list-style-type: none">• Check power and fuse• Call the helpline

Please note that this equipment and its components have NO user serviceable parts.

If you experience any difficulties call our Helpline
GREEN LIGHTING HELPLINE TEL:01905 610200
Monday to Friday
www.greenlighting.co.uk

Green Lighting tries to improve its products for the benefit of its customers.

For this reason we reserve the right to make changes to any product at any time, without notice.

Green Lighting Instructions GL4812LU P-Lux3 LED

© Green Lighting