



Emergency LED Lighting & Fire Detection

Carbon Dioxide (CO₂) Monitor & Alarm

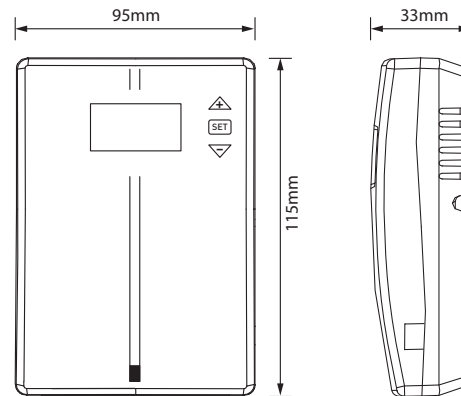
GL-CO2AM

Product Image



Product Line Drawing

All measurements in mm



Specification

Voltage	230V
Warm Up Time	10 mins (Normal)
Temp. Measurement Range	0 - 50°C
CO ₂ Measurement Range	0-5000 PPM
Dimensions	115 x 95 x 33mm

Description

The Carbon Dioxide (CO₂) Monitor and Alarm is used to monitor room CO₂ levels.

Features

- NDIR infrared CO₂ sensor inside with special Self Calibration System, making CO₂ measurement more accurate and reliable
- Three colour (green/yellow/red) LED indicator indicating ventilation level based on CO₂ measurement (optimal/moderate/poor)
- Two alarms: inbuilt buzzer and LED Indicator

Functionality

The LCD Screen will cycle through 2 different displays, changing every 10 seconds.

These modes are;

Current CO₂ levels (PPm) with

- The average CO₂ levels over the last 24 hours (in PPm).
- The highest CO₂ level in the last 24 hours (in PPm).