



# D-Lux LED Downlights

## PR0800 8W Downlight

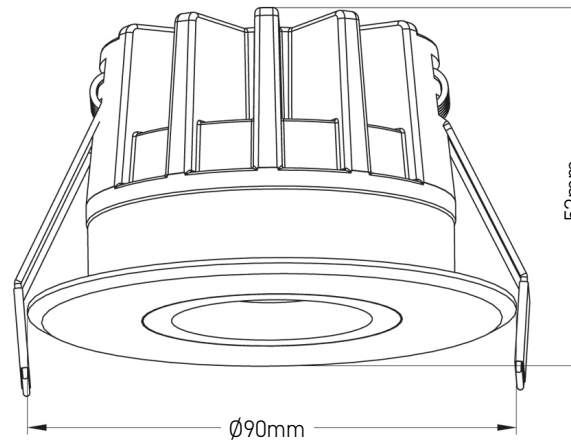
**SN-WH7WS** **SN-CH7WS** **SN-BA7WS**  
Matt White Chrome Brushed Aluminium



### Product Image



### Product Line Drawing



### Specification

Voltage	230V AC
Wattage	8W
Colour Temp.	3000K
Lumens	825lm
Dimmable	Optional
IP Rating	IP65
Lens	Optical Grade PMMA
Beam Angle	40°
CRI	Ra>80
Weight	0.243Kg
Heat Sink	Aluminium
Light Depreciation	<30% over 50,000hrs
Thermal Cutoff	80°C
Connection	Push on
Power Factor	0.9
Cut Out	70mm
Bezel Diameter	89mm
Minimum Void	60mm
Fire Ratings	30, 60min (Standard, I & Posi Joists)
Air Leakage BS 5250	0.008m <sup>3</sup> /hr/m <sup>2</sup> @2pa
Air Tightness Part L	0.049m <sup>3</sup> /hr/m <sup>2</sup> @50pa
Acoustic Downgrade	0

### Description

The PR0800 D-Lux LED Downlight, supersedes the current 7.9W LED downlight.

This light fitting is insulation coverable.

Available in Matt White, Chrome and Brushed Aluminium finishes.

THE DOWNLIGHTS IN THIS RANGE ARE LAMPLESS. THE LAMP CANNOT BE REMOVED AND ATTEMPTING TO DO SO WILL DAMAGE THE FITTING.